



CANEC23009889816

2023 09 22

1

8

15

CSP LED

SGS

GZP23-013561

2023 09 13

2023 09 13 ~ 2023 09 21

RoHS	2011/65/EU (PBBs) (BBP)	II (PBDEs) (2-	(EU) 2015/863- (DBP)
------	-------------------------------	----------------------	-------------------------

李嘉欣

Jessie-JX Li



		SGS ID	
SN1	A25	CAN23-0098898-0001.C025	/
SN2	A26	CAN23-0098898-0001.C026	, &

(1) 1 mg/kg = 1 ppm = 0.0001%

(2) MDL=

(3) ND = (< MDL)

(4) "-" =

RoHS	2011/65/EU	II	(EU) 2015/863-	(PBBs)
(PBDEs)	(DBP)	(BBP)	(2-	)
(DEHP)	(DIBP)			

IEC 62321-4:2013+AMD1:2017 IEC 62321-5:2013 IEC 62321-7-2:2017 IEC  
62321-6:2015 IEC 62321-8:2017 ICP-OES UV-Vis GC-MS

			MDL	A25	A26
(Cd)	100	mg/kg	2	ND	ND
(Pb)	1000	mg/kg	2	25	17
(Hg)	1000	mg/kg	2	ND	ND
(Cr(VI))	1000	mg/kg	8	ND	ND
(PBBs)	1000	mg/kg	-	ND	ND
(MonoBB)	-	mg/kg	5	ND	ND
(DiBB)	-	mg/kg	5	ND	ND
(TriBB)	-	mg/kg	5	ND	ND
(TetraBB)	-	mg/kg	5	ND	ND
(PentaBB)	-	mg/kg	5	ND	ND
(HexaBB)	-	mg/kg	5	ND	ND
(HeptaBB)	-	mg/kg	5	ND	ND
(OctaBB)	-	mg/kg	5	ND	ND
(NonaBB)	-	mg/kg	5	ND	ND
(DecaBB)	-	mg/kg	5	ND	ND
(PBDEs)	1000	mg/kg	-	ND	ND
(MonoBDE)	-	mg/kg	5	ND	ND
(DiBDE)	-	mg/kg	5	ND	ND
(TriBDE)	-	mg/kg	5	ND	ND
(TetraBDE)	-	mg/kg	5	ND	ND
(PentaBDE)	-	mg/kg	5	ND	ND
(HexaBDE)	-	mg/kg	5	ND	ND

CANEC23009889816

2023 09 22

3

8

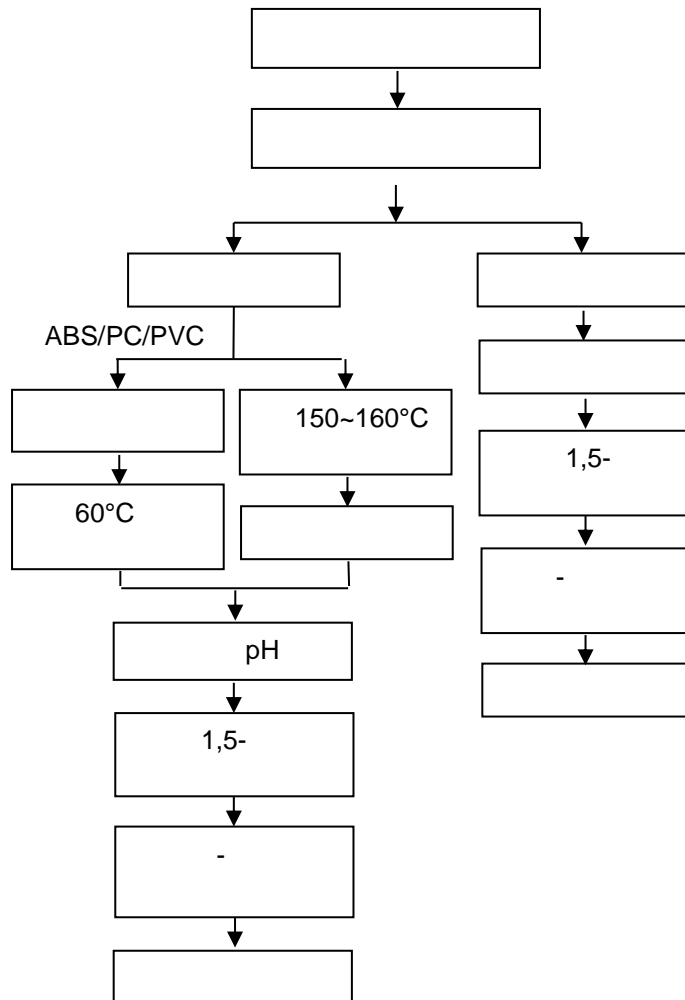
			MDL	A25	A26
(HeptaBDE)	-	mg/kg	5	ND	ND
(OctaBDE)	-	mg/kg	5	ND	ND
(NonaBDE)	-	mg/kg	5	ND	ND
(DecaBDE)	-	mg/kg	5	ND	ND
(DBP)	1000	mg/kg	50	ND	ND
(BBP)	1000	mg/kg	50	ND	ND
(2- ) (DEHP)	1000	mg/kg	50	ND	ND
(DIBP)	1000	mg/kg	50	ND	ND

- (1) RoHS (EU) 2015/863  
(2) IEC 62321 EN 62321  
(3) 2021 7 22 DEHP BBP DBP DIBP

ILAC-G8:09/2019

w=0





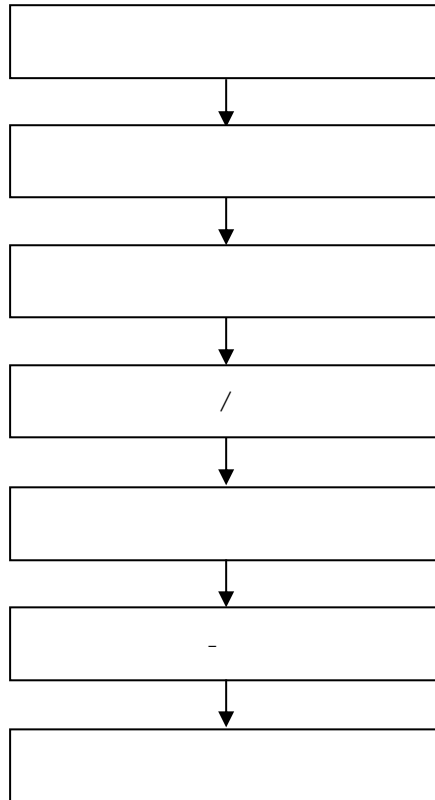


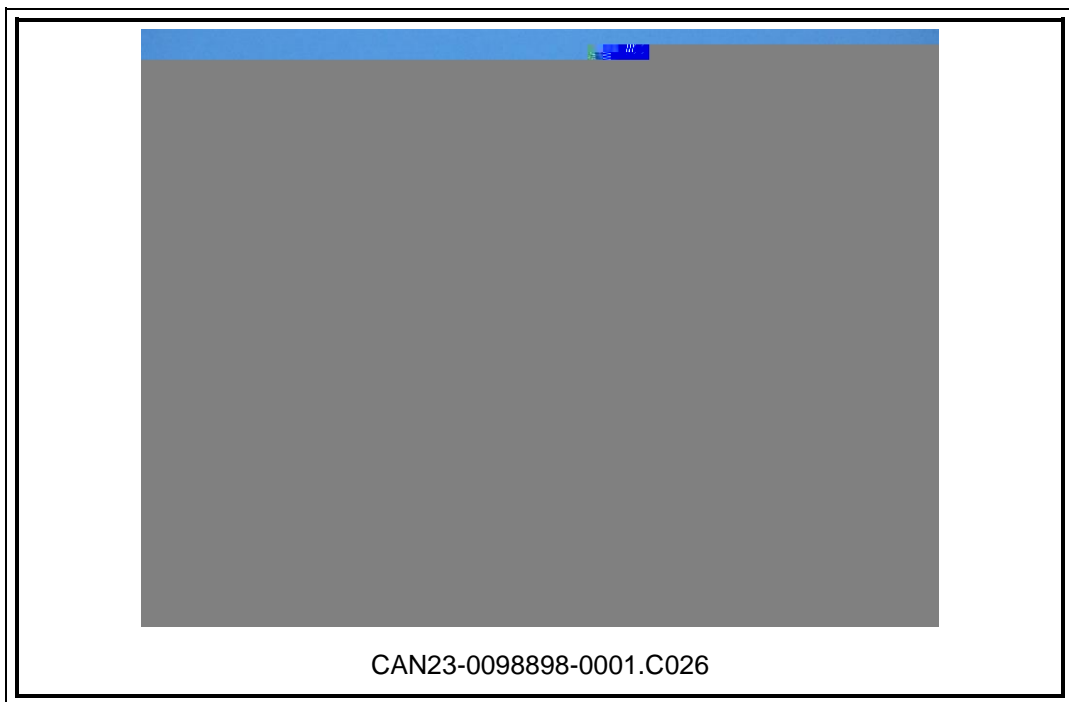
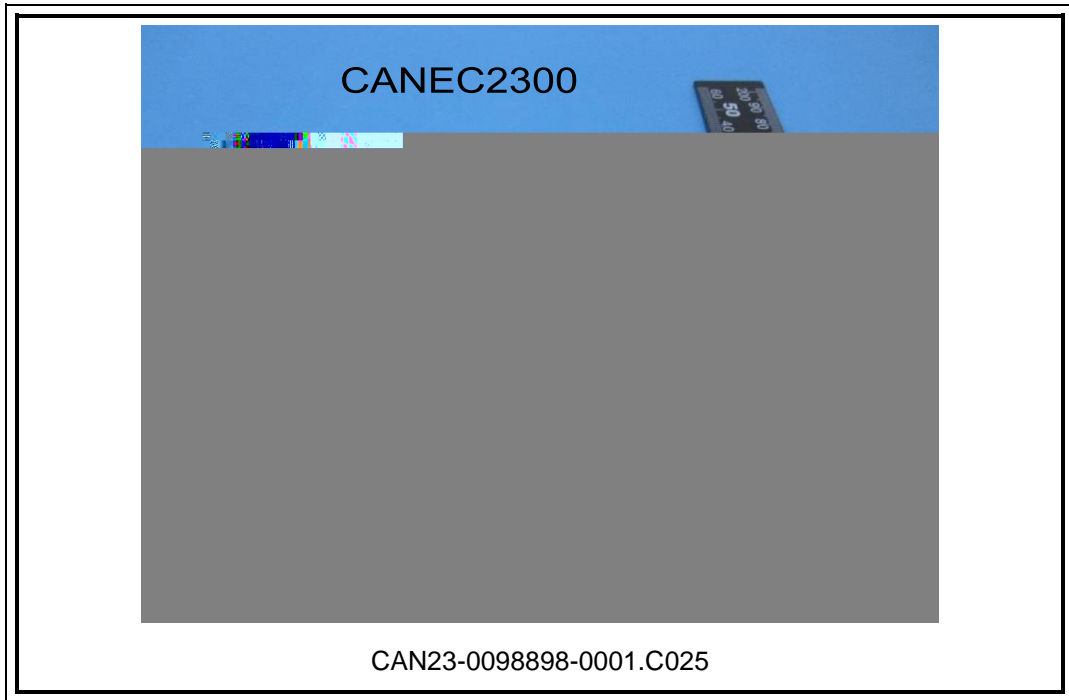
**PBBs/PBDEs**





### Phthalates





SGS

\*\*\* \*\*