

TX-5050W20FC100-NUVCNG-B01

PRODUCT SPECIFICATION

Features:

Chip Material:

Emitting Color:

Applications:

--	--	--	--	--	--

Absolute Maximum Ratings (Tc=25)

Parameter	Symbol	Ratings	Unit

Notes:

--	--	--	--	--	--

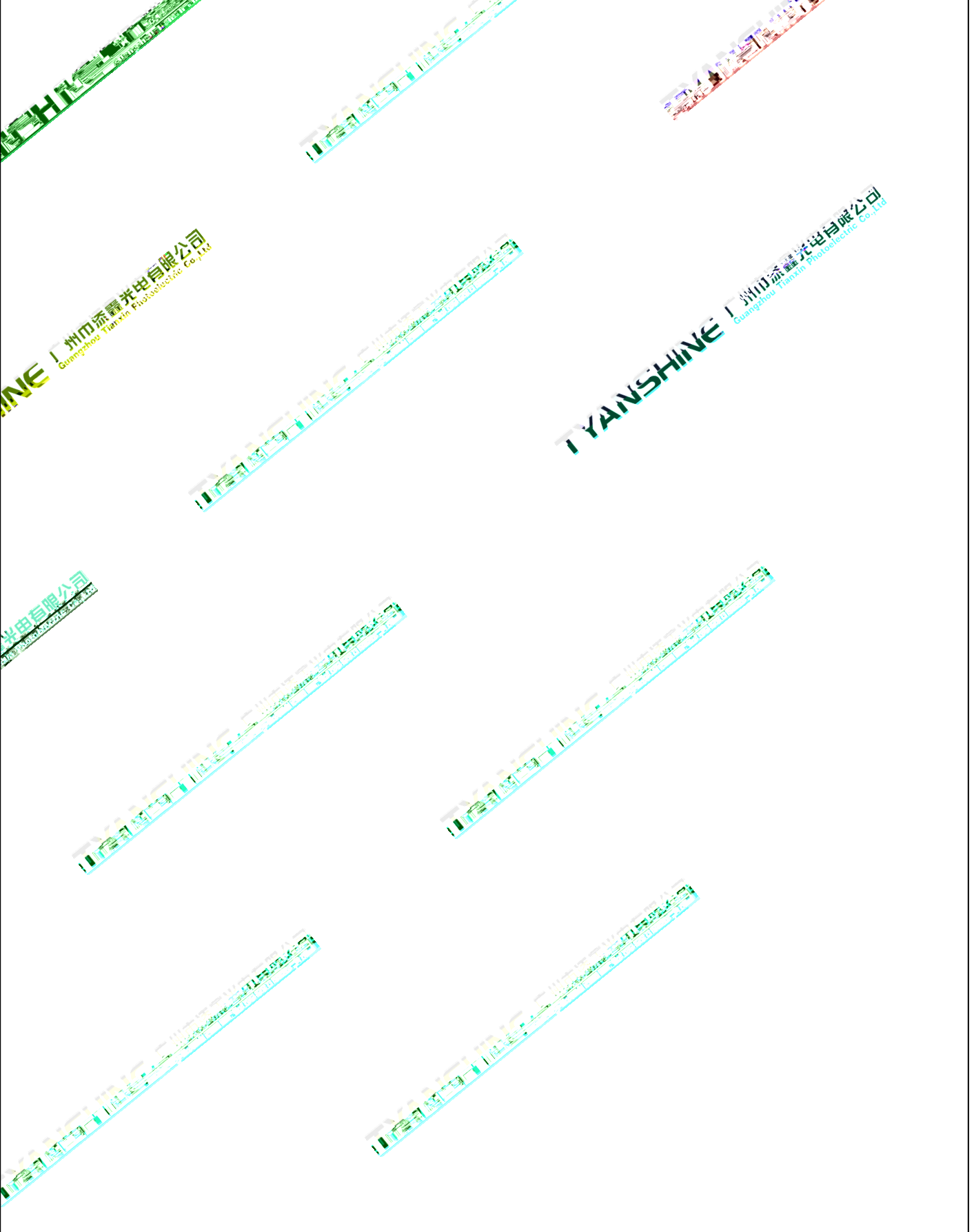
Electrical Optical Characteristics (Tc=25°C)

Parameter	Symbol	Condition	Emitting color	Min.	Typ.	Max.	Units

Notes:

--	--	--	--	--	--	--	--

Typical Electrical/Optical Characteristics Curves

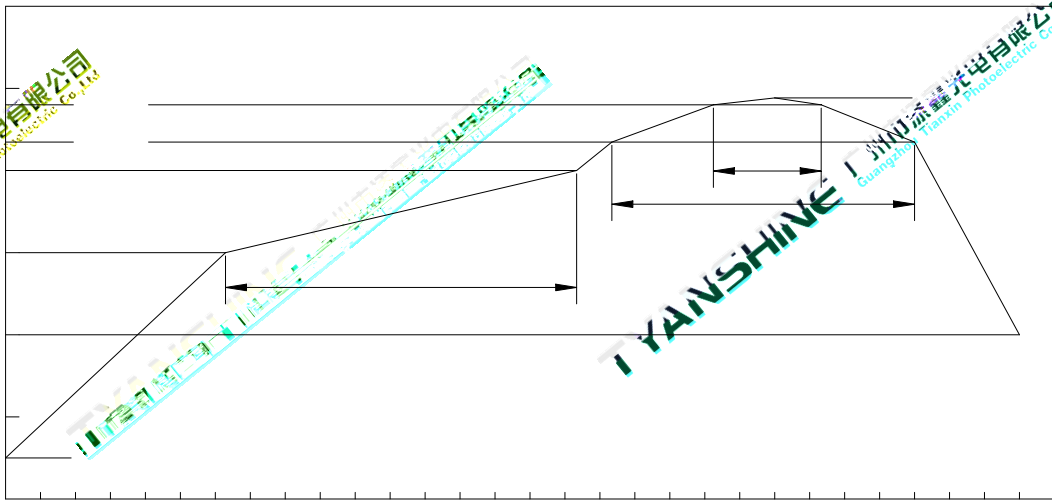


--	--	--	--	--	--

Usage Precautions

Storage Environment Condition

Soldering Condition



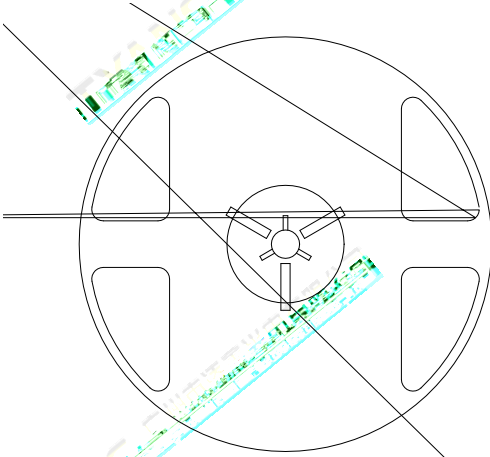
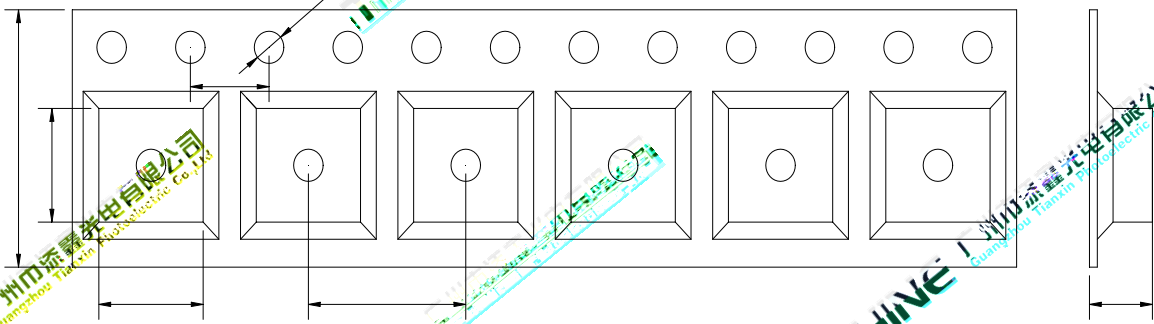
Profil-Charakteristik Profile Feature	Symbol	Pb-Free(SnAgCu)Assembly			Einheit Unit
		Minimum	Recommendation	Maximum	

Note:

--	--	--	--	--	--

Dimensions For Cannulation And Packaging

Quantity: 1000PCS



--	--	--	--	--	--

