

CANEC24021252902

2024 10 09

1

12

Jany Zhong

CANEC24021252902

2024 10 09

2

12

			MDL	A1	A2	A3
	-	mg/kg	25	ND	ND	ND
	-	mg/kg	25	ND	ND	ND
	-	mg/kg	25	ND	ND	ND
	1000	mg/kg	-	ND	ND	ND
	-	mg/kg	25	ND	ND	ND
	-	mg/kg	25	ND	ND	ND
	-	mg/kg	25	ND	ND	ND
	-	mg/kg	25	ND	ND	ND
	-	mg/kg	25	ND	ND	ND
	-	mg/kg	25	ND	ND	ND
	-	mg/kg	25	ND	ND	ND
	-	mg/kg	25	ND	ND	ND
	-	mg/kg	25	ND	ND	ND
	-	mg/kg	25	ND	ND	ND
	-	mg/kg	25	ND	ND	ND
EHP)	1000	mg/kg	50	ND	ND	ND
	1000	mg/kg	50	ND	ND	ND
	1000	mg/kg	50	ND	ND	ND
	1000	mg/kg	50	ND	ND	ND

			MDL	A4	A5	A6
	1000	mg/kg	2	4	ND	4
	1000	mg/kg	2	ND	ND	ND
	100	mg/kg	2	ND	ND	ND
	1000	mg/kg	8	ND	ND	ND
	1000	mg/kg	-	ND	ND	ND
	-	mg/kg	25	ND	ND	ND
	-	mg/kg	25	ND	ND	ND
	-	mg/kg	25	ND	ND	ND
	-	mg/kg	25	ND	ND	ND
	-	mg/kg	25	ND	ND	ND
	-	mg/kg	25	ND	ND	ND
	-	mg/kg	25	ND	ND	ND
	-	mg/kg	25	ND	ND	ND
	-	mg/kg	25	ND	ND	ND
	-	mg/kg	25	ND	ND	ND
	1000	mg/kg	-	ND	ND	ND
	-	mg/kg	25	ND	ND	ND

0 Tfl 0 0



CANEC24021252902

2024 10 09

4 12

			MDL	A4	A5	A6
(OctaBDE)	-	mg/kg	25	ND	ND	ND
(NonaBDE)	-	mg/kg	25	ND	ND	ND
(DecaBDE)	-	mg/kg	25	ND	ND	ND
(2-) (DEHP)	1000	mg/kg	50	ND	ND	ND
(BBP)	1000	mg/kg	50	ND	ND	ND
(DBP)	1000	mg/kg	50	ND	ND	ND
(DIBP)	1000	mg/kg	50	ND	ND	ND



CANEC24021252902

2024 10 09

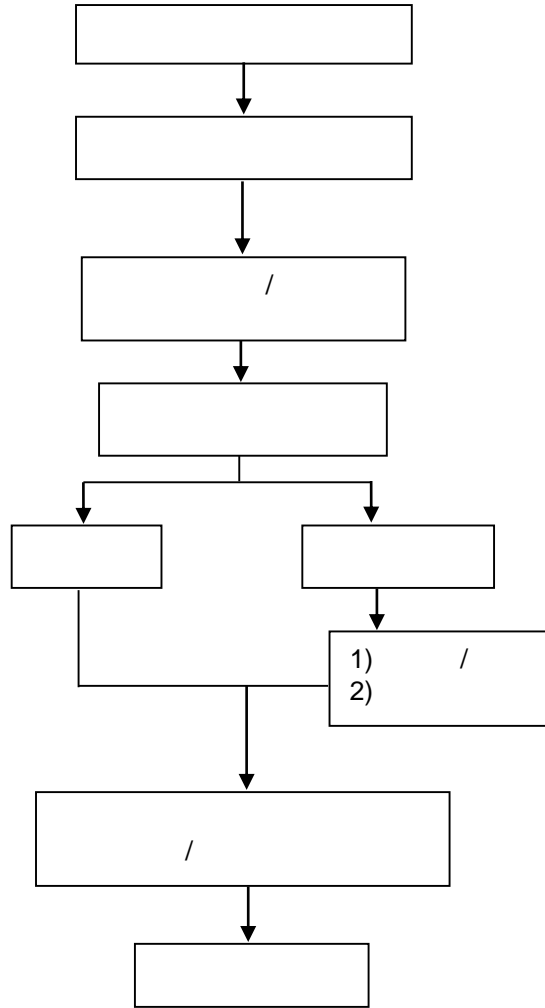
5 12

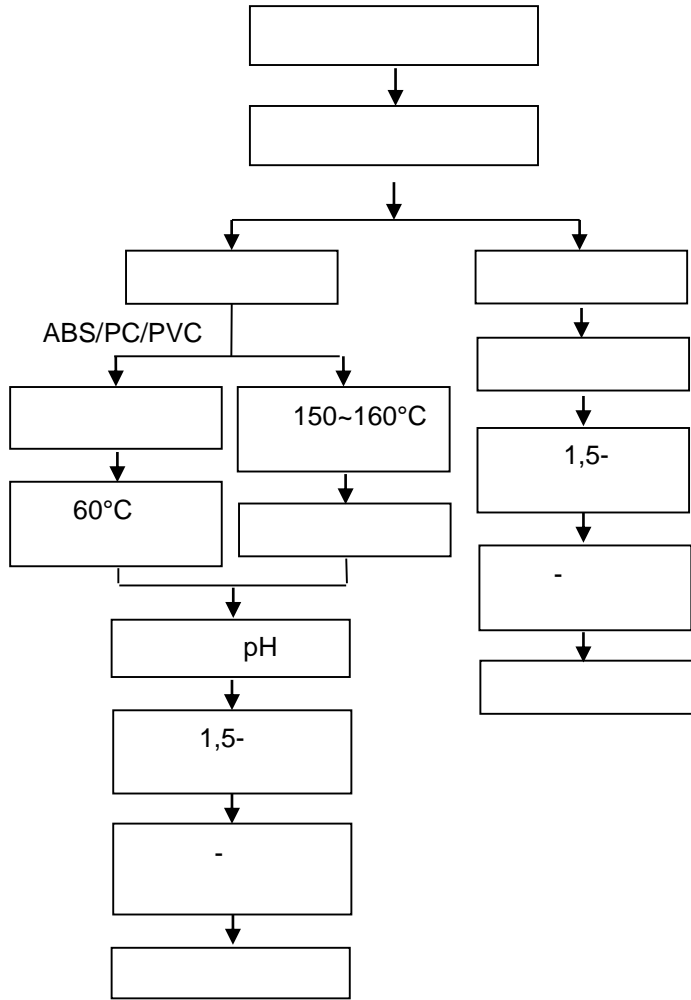
(3) 2021 7 22

DEHP BBP DBP DIBP

ILAC-G8:09/2019

w=0







PBB/PBDE/Phthalates



